



US 20200346713A1

(19) **United States**

(12) **Patent Application Publication**

Iwai et al.

(10) **Pub. No.: US 2020/0346713 A1**

(43) **Pub. Date: Nov. 5, 2020**

(54) **BICYCLE SPROCKET, SPROCKET ASSEMBLY, REAR SPROCKET ASSEMBLY, AND DRIVE TRAIN OF BICYCLE**

(52) **U.S. Cl.**
CPC *B62M 9/10* (2013.01); *F16H 55/30* (2013.01); *F16H 55/06* (2013.01); *B62M 9/105* (2013.01)

(71) Applicant: **SHIMANO INC.**, Sakai City (JP)

(72) Inventors: **Tooru Iwai**, Sakai City (JP); **Tetsu Nonoshita**, Sakai City (JP); **Toyoshi Yoshida**, Sakai City (JP)

(57) **ABSTRACT**

(73) Assignee: **SHIMANO INC.**, Sakai City (JP)

(21) Appl. No.: **16/934,009**

(22) Filed: **Jul. 21, 2020**

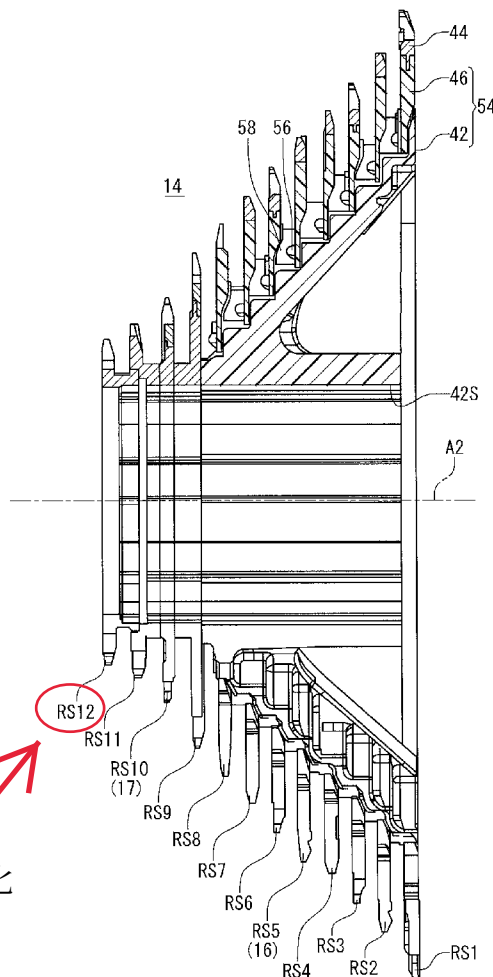
Related U.S. Application Data

(62) Division of application No. 15/399,877, filed on Jan. 6, 2017, now abandoned.

Publication Classification

(51) **Int. Cl.**
B62M 9/10 (2006.01)
F16H 55/06 (2006.01)
F16H 55/30 (2006.01)

A bicycle sprocket comprises at least one chain engaging member constituting at least a part of at least one sprocket tooth of the bicycle sprocket. The at least one chain engaging member is configured to contact a bicycle chain in a state where the bicycle chain engages with the bicycle sprocket. The at least one chain engaging member is made of a first material. At least one bicycle attachment member constitutes at least a part of a sprocket body of the bicycle sprocket. The at least one bicycle attachment member is configured to be coupled to a bicycle. The at least one bicycle attachment member is made of a second material that is different from the first material. At least one shifting facilitation area is provided in the at least one chain engaging member to facilitate a shifting operation of a bicycle chain.



ついに12速化